

## Electromagnetic Stationary Field Tooth Clutch

Clutch with diaphragm-armature plate to be fastened on the free wheeling gear part.

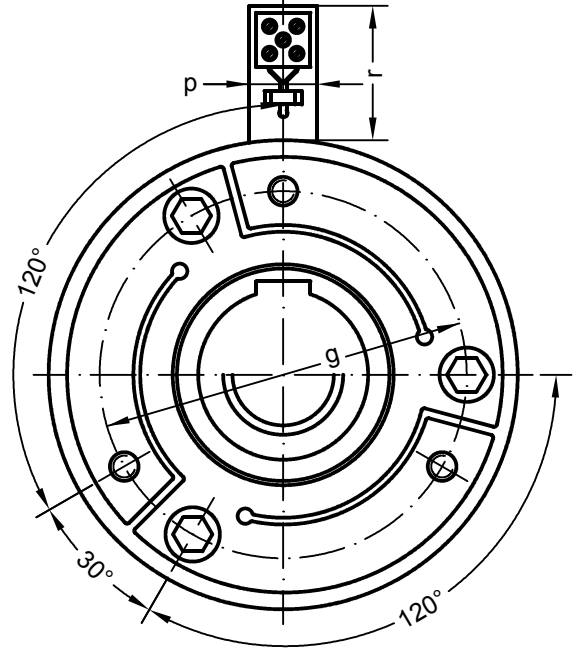
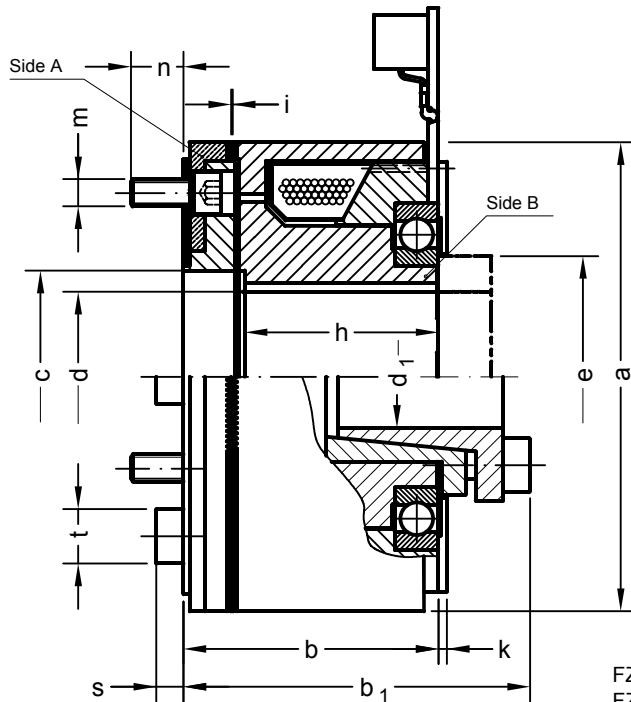
For oil and dry operation, coil voltage 24 V DC

- ◆ With point shaped, backlash-free and hardened tooth profile.
- ◆ With torsionally stiff, axially flexible spring steel diaphragm.
- ◆ Type with tooth angle 35° for high torque transmission.
- ◆ Suited for disengagement under torque load.
- ◆ With taper lock for zero-backlash drive systems.
- ◆ Applicable for horizontal und vertical mounting.
- ◆ Executions for torque limitation, upon request.

The engagement of tooth clutches is made at standstill or under synchronous speed. Advantage is given by the transmission of high torque in relation to clutch dimension and the complete disconnection of drive transmission, permitting their possible use in high speed applications.

Versions:

- 00 with keyway, without position indicator.
- 01 with keyway, with position indicator.
- 10 with taper lock, without position indicator.
- 11 with taper lock and position indicator.



FZVAM 8 - FZVAM 250 3 screws 120° / 30° / 120°  
 FZVAM 500 - FZVAM 1000 4 screws (please ask for dimension sheet)

Data and Dimensions		FZVAM 8	FZVAM 16	FZVAM 32	FZVAM 63	FZVAM 125	FZVAM 250	FZVAM 500	FZVAM 1000
Static torque (keyed to the shaft)	Nm	80	160	320	630	1250	2500	5000	10000
Static torque (with taper lock)	Nm	70	120	280	520	960	1880	3300	---
Speed maximum	min <sup>-1</sup>	7000	6000	5500	4700	4000	3200	2500	1600
Coil power consumption at 20 °C	W	30	45	45	60	60	90	125	140
Coil inductivity	Vs/A	2,5	2,5	3,5	3,5	3,5	4,0	5,0	8,0
Mass moment of inertia side A	10 <sup>-3</sup> kgm <sup>2</sup>	0,3	0,5	1,3	1,7	7,3	18,5	43,4	150
Mass moment of inertia side B	10 <sup>-3</sup> kgm <sup>2</sup>	0,6	1,4	3,0	6,6	16,7	60	168	400
Mass (weight)	kg	1,6	2,3	3,6	6,2	10,2	20	35	63
Screw fastening torque - for diaphragm	Nm	9,5	16	32	77	135	330	330	650
ø a	mm	84	97	113	131	155	194	240	300
b	mm	42	49,5	59	69,5	83,5	103,5	118	142
b <sub>1</sub>	mm	71	78,5	85	95,5	118,5	138,5	160	---
ø c	mm	36	48	56	60	74	108	120	150
ø d H7	mm	25	35	45	50	60	75	90	110
ø d <sub>1</sub> for taper lock	mm	20	25	35	40	45	65	70	---
ø e	mm	40	50	62	69	80	100	124	163
g	mm	60	73	86	100	125	155	190	250
h	mm	30	38,5	43,5	52	62,5	80	97	112
i addenda distance	mm	0,30	0,35	0,35	0,40	0,45	0,45	0,45	0,50
k	mm	3	3	3	4	5	6	8	3
m	mm	M6	M6	M8	M10	M12	M16	M16	M20
n	mm	10	13	14	16	19	22	22	27
p	mm	22	22	22	22	22	30	30	30
r	mm	64	64	63	57	55	93	85	75
s	mm	6	6	7	9	10	14	14	15
ø t	mm	10	10	13	16	18	24	24	24
Keyway DIN 6885 - 2	-	1	1	1	2	2	2	2	2
Number of teeth	-	196	260	224	260	245	305	296	368