

## Electromagnetic Spring-Operated Multi Disc Brake

Safety brake with central adjustment and manual release.

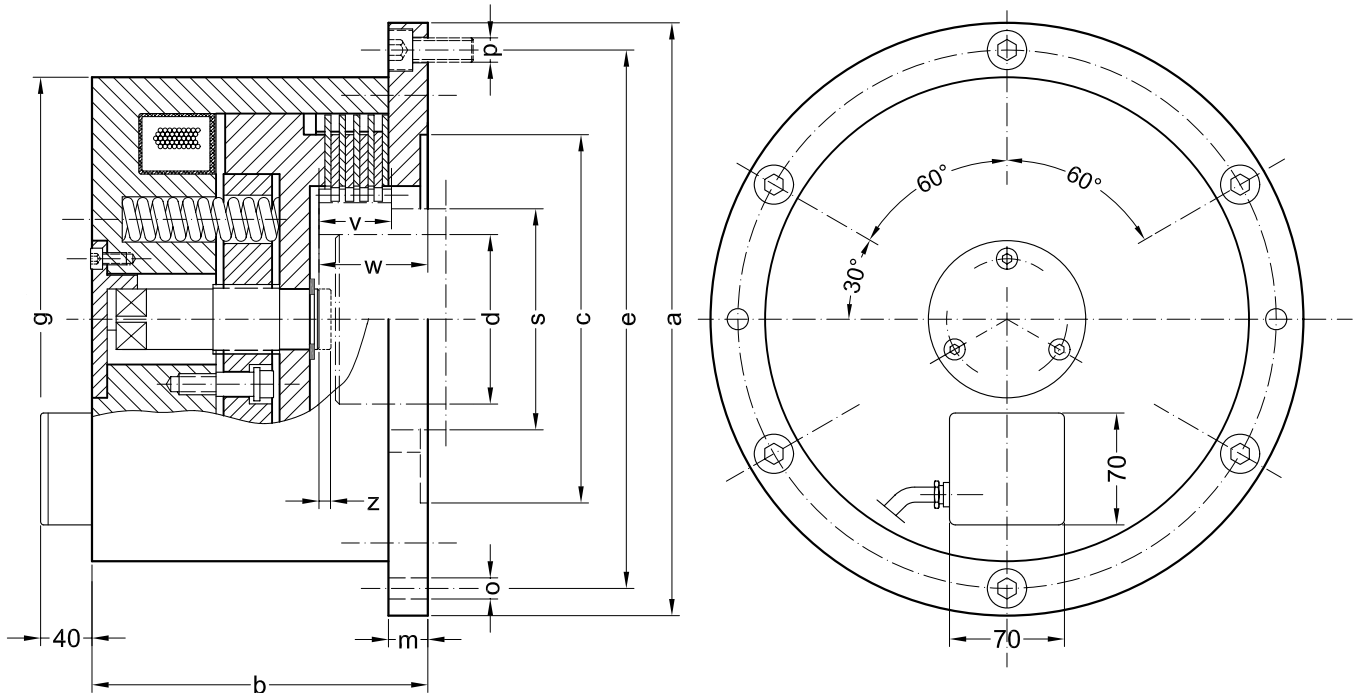
For dry operation (oil operation on request), coil voltage 24 V DC

- ◆ Suited as safety and holding brake against break of power supply.
- ◆ Encapsulated adaptation unit for gear boxes.
- ◆ With screw spindle for manual release and brake gap setting or readjustment of the brake stroke without measurement.
- ◆ For horizontal mounting.

The FMOBS is equipped with steel- / sinter discs. With an adapted supply for oil cooling the brake can be used for high duty operation.

Manual release: Rotate the screw spindle counter clockwise up to the stop.

Gap setting: Rotate the screw spindle clockwise up to the stop, then rotate counter clockwise for gap setting. One full circle equals 2 mm gap size.



Data and Dimensions		FMOBS 20	FMOBS 40	FMOBS 80	FMOBS 160	FMOBS 315	FMOBS 630	
Static torque	Nm	200	400	800	1600	3150	6300	
Dynamic torque	Nm	160	315	630	1250	2500	5000	
Idling torque	Nm	0,4	0,8	1,6	3,2	6	12	
Friction work per engagement	kJ	60	120	180	310	460	780	
Thermal capacity	W	180	315	425	670	860	920	
Speed maximum	min <sup>-1</sup>	2500	2000	1600	1200	800	600	
Release time	ms	240	300	400	500	600	750	
Engagement time	ms	45	50	55	65	80	100	
Coil power consumption at 20 °C	W	80	100	140	170	220	270	
Mass (weight)	kg	20	37	60	110	180	315	
Ø a	mm	200	250	300	370	440	500	
b	mm	137	158	178	210	236	310	
Ø c H7	mm	120	160	190	230	280	340	
Ø e	mm	180	225	270	335	400	460	
f	mm	2	2	2,5	2,5	2,5	3	
Ø g	mm	160	200	240	300	360	430	
h	mm	4	4	6	6	8	8	
l	mm	1	1	1	1	1,5	1,5	
m	mm	15	18	23	25	30	32	
Ø o rough bored / for dowel	mm	8 / 10	10 / 12	14 / 16	14 / 16	18 / 20	18 / 20	
p		M10	M12	M12	M16	M20	M20	
r	mm	3	3	4	7	7	7	
Inner driver	Ø d H7 rough bored	mm	30	40	45	56	63	80
	v	mm	38	41	40	44	46	68
	w	mm	53	59	63	69	76	100
	Ø s	mm	70	88	112	140	185	235
	Number of teeth x modul 1)	mm	26 x 3	32 x 3	40 x 3	38 x 4	49 x 4	50 x 5
	w tooth width of	mm	23,148	32,257	41,440	55,173	67,598	84,568
	w tooth width up to measured over tooth number	mm	23,182	32,291	41,478	55,211	67,636	84,615

1) Tooth angle 20°