

Electromagnetic Slip Ring Multi-Disc Clutch

SHEET 2

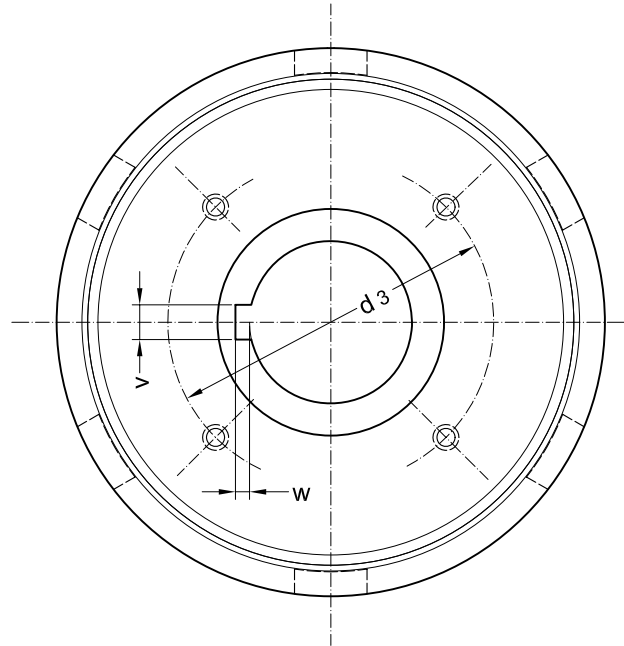
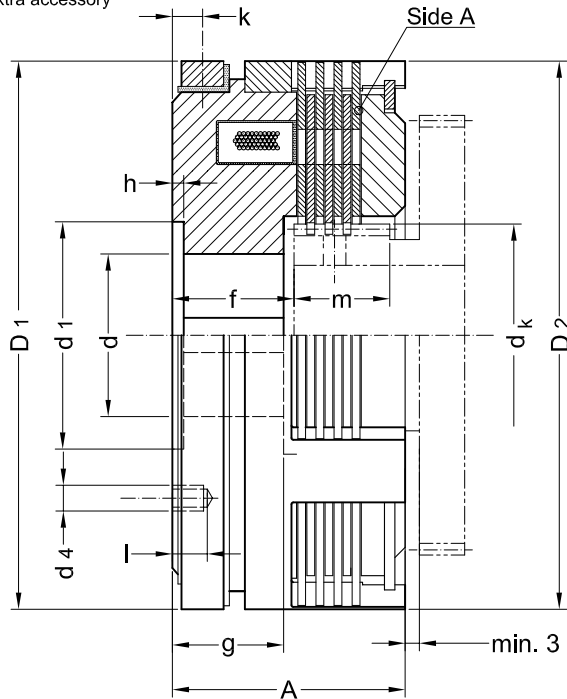
Clutch for shaft mounting, with recess on the front side.

For oil operation, coil voltage 24 V DC

- ◆ Version without inner driver, with hardened steel discs.
 - ◆ Torque transmission between shaft and inner driver *.
 - ◆ Further technical particulars on request.
 - ◆ For horizontal mounting.
- * extra accessory

Heid multi disc clutches LCW-S are comparable regarding technical data and dimensions with multi disc clutches of ZF Friedrichshafen AG listed in the table.

Most of the clutches LCW-S documented in the data sheet can be amended according to order specification and so brought into line with the version to be replaced.



Data and Dimensions		LCW	LCW	LCW	LCW	LCW	LCW	LCW	LCW	LCW	LCW	
		30S2	30S3	50S1	50S2	50S3	80S	100S	130S	200S	320S	
comparable to ZF Type:		EK 20 d	EK 20 e	EK 40	EK 40 d	EK 40 e	EK 60 d	EK 80	EK 120 e	EK 160	EK 320	
Static torque	Nm	400	360	900	800	800	1100	1800	2400	3600	5800	
Dynamic torque	Nm	200	200	500	400	450	600	1000	1300	2000	3200	
Speed at 10 m per sec. 1)	min ⁻¹	1150	1150	950	950	950	900	750	700	600	550	
Engagement time	ms	450	450	600	600	600	750	900	1100	1300	1700	
Disengagement time	ms	200	200	250	250	250	300	380	400	540	750	
Coil power consumption at 20 °C	W	41	38	57	59	77	79	88	130	130	170	
Mass moment of inertia side A	10 ⁻³ kgm ²	18,7	18,1	40,0	41,8	40,9	62,8	104,4	159,0	337,8	653,5	
Mass (weight) ~	kg	5,8	5,7	10,4	9,9	9,0	12,2	16,3	19,7	37	64	
A	mm	58,5	58,5	67	68,5	67,5	73,5	77	80	104	114	
Ø D 1	mm	166	166	195	195	195	210	240	258	295	336	
Ø D 2	mm	166	166	195	195	195	210	240	258	295	336	
Ø d H7	mm	55	55	55	65	80	70	75	85	85	100	
Ø d 1 K6	mm	27	36	37	42	38	52	44	60	70	60	
Ø d 3	mm	92	95	105	110	122	120	140	150	160	190	
d 4	mm	M10	M10	M10	M10	M8	M10	M12	M12	M16	M16	
f	mm	33	30	34	36,5	35	38	40	38	51	53	
g	mm	14	16,5	18	20	25	23	29	26	26	25	
h	mm	2,5	2,5	3	3	3	3	3	3	3	3	
k	mm	7	7	7	7	7	8,5	8,5	8,5	8,5	8,5	
l	mm	15	15	18	18	15	20	20	20	25	25	
m min	mm	23,5	27,5	31	30	31,5	32,5	33	38	48	56	
v x w DIN 6885 - 2	mm	16 x 2,6	16 x 2,6	16 x 2,6	18 x 3,1	22 x 4,1	20 x 4,1	20 x 4,1	22 x 4,1	22 x 4,1	28 x 5,1	
Inner driver gear acc. DIN 867 α = 20°	Number of teeth	-	27	33	25	33	34	36	42	54	37	37
	Modul	mm	2,5	2,5	3	2,5	3	2,5	2,5	2,5	3	3,5
	Tooth width of	mm	27,51	27,72	23,07	27,72	32,25	34,86	34,48	49,72	42,29	49,36
	Tooth width to	mm	27,45	27,66	23,01	27,66	32,15	34,80	34,42	49,65	42,21	49,28
	over teeth	-	4	4	3	4	4	5	5	7	5	5
dk-0,2 addendum - Ø	mm	73,2	88,2	78,0	88,2	108,0	94,8	110,0	140,0	118,0	138,0	

1) Higher speeds when fitting a second brush.