

Hydraulic Operated Multi Disc Clutch

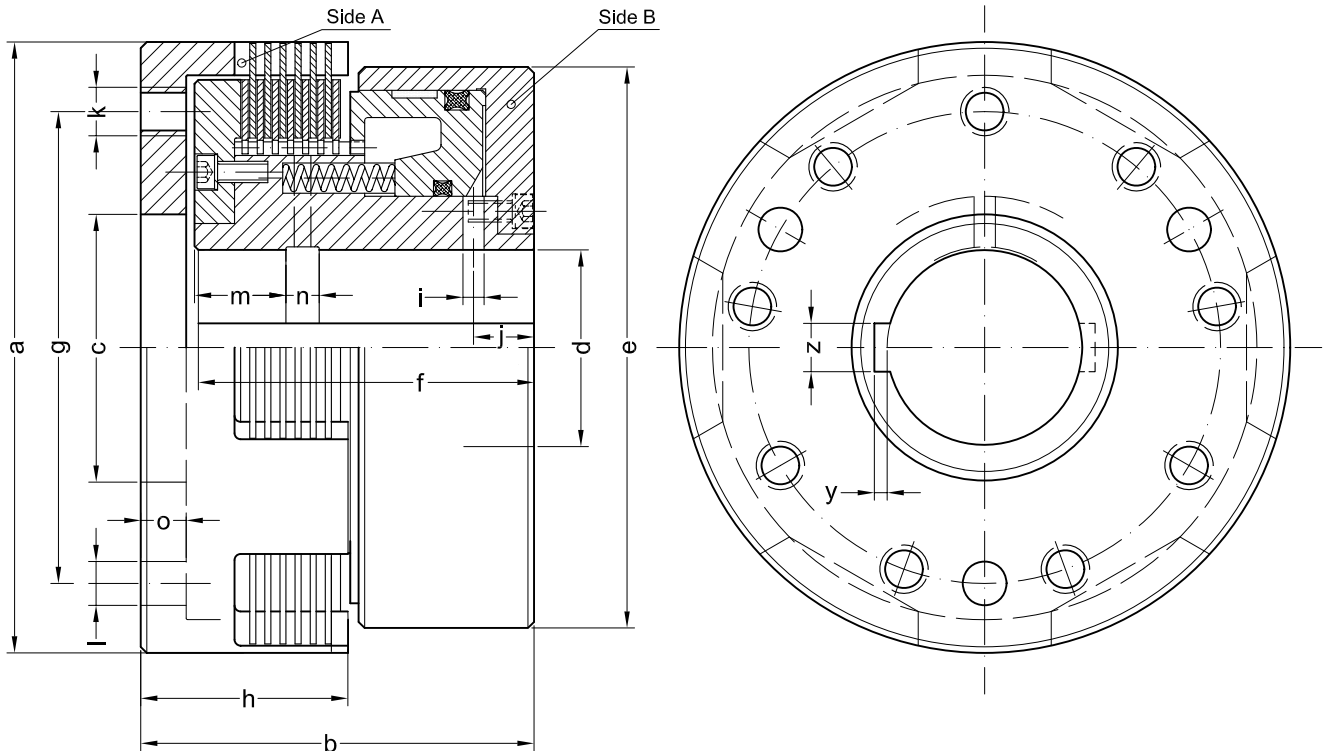
Clutch for installation into gears, with hydraulic oil supply through the shaft.

For oil operation

- ◆ For working pressure 24 bar, maximal system pressure 40 bar.
- ◆ Possible high duty operation due to wear resistant steel/ steel discs.
- ◆ Compensation of disc wear by self-adjustment.
- ◆ Clutch hub bored for internal supply of cooling oil through the shaft.
- ◆ Special designs type HLWS on request.
- ◆ Suited for horizontal mounting.

If there is a hydraulic oil supply at disposal, the use of hydraulically operated clutches is of advantage, because of their high torque and frequencies of operation, short engagement times and sturdy design. Therefore the clutch is used for drive engagement of machines and units with high torque loads, such as construction machines and conveying plants, etc.

Clutches for higher torque and special application requirements = HLWS



Data and Dimensions		HLW 16	HLW 20	HLW 32	HLW 50	HLW 80	HLW 125	HLW 200	HLW 320	HLW 500	HLW 800
Static torque - 24 bar	Nm	220	280	450	700	1100	1750	2800	4500	7000	11000
Dynamic torque - 24 bar	Nm	160	200	320	500	800	1250	2000	3200	5000	8000
Idling torque	Nm	0,1	0,2	0,3	0,4	0,5	0,6	1,1	1,6	3,2	4,5
Friction work per engagement	kJ	7,0	12	18	32	45	56	120	215	360	530
Thermal capacity	W	135	200	260	400	450	500	900	1500	2000	2800
Speed maximum	min ⁻¹	4000	4000	4000	3200	3000	3000	3000	2500	2500	2000
Stroke volume - discs new / worn	cm ³	8 / 15	9 / 17	13 / 25	17 / 31	31 / 56	34 / 62	50 / 90	70 / 125	90 / 150	145 / 250
Mass moment of inertia side A	10 ⁻³ kgm ²	0,76	2,34	3,46	6,72	12,24	21,06	51,24	139,8	348,6	778,6
Mass moment of inertia side B	10 ⁻³ kgm ²	1,68	3,94	5,59	10,42	20,46	29,61	66,48	176,6	404,4	1066
Mass (weight)	kg	2,3	4,0	4,7	6,8	10	13	19	38	60	110
Ø a	mm	90	114	125	140	155	175	210	260	315	370
b	mm	57	70	70	80	93	98	110	135	150	190
Ø c H7	mm	40	50	50	60	65	75	90	110	125	150
Ø d H7 Standard	mm	25	35	35	45	50	60	65	80	100	115
Ø e	mm	90	100	110	125	146	155	180	210	250	315
f	mm	49	60	60	70	80	85	95	118	128	165
g	mm	70	90	100	110	120	135	170	210	265	310
h	mm	30	34	34	41	50	53	64	75	82	100
Ø i / j	mm	4 / 13	4,5 / 12	4,5 / 12	5,5 / 12	6 / 14,5	7 / 15	7 / 18	8 / 20	10 / 27	12 / 32
k number = 9	mm	M 6	M 8	M 8	M 10	M 10	M 12	M 16	M 16	M 16	M 20
Ø l prebored for 3 dowels	mm	6	8	8	10	10	14	16	16	16	20
m	mm	-	12	12	14	24	24	29	37	40	41
n	mm	-	10	10	12	12	12	12	12	15	18
o	mm	7	9	9	9	12	12	14	15	20	23
keyway(s) DIN 6885-1	number	-	1	1	1	1	2	2	2	2	2
	z JS9 x y 1)	mm	8 x 3,3	10 x 3,3	10 x 3,3	14 x 3,8	14 x 3,8	18 x 4,4	18 x 4,4	22 x 5,4	28 x 6,4

1) for d standard